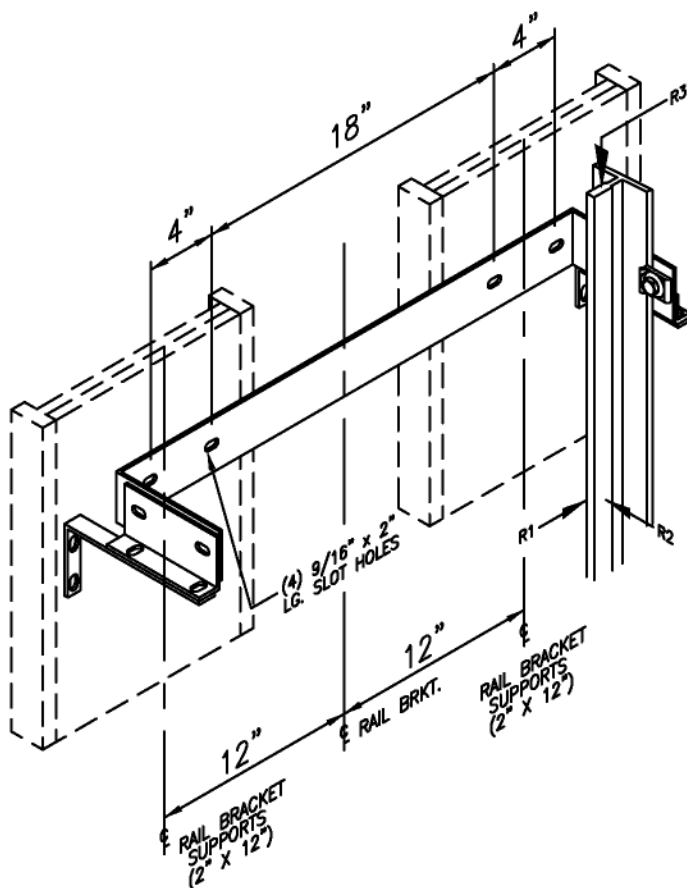


**FIXED RAIL BRACKET
(STANDARD)**



**ADJUSTABLE RAIL BRACKET
(OPTIONAL)**

NOTE:
RAIL BRACKET AND PEDESTAL
BASE MOUNTING HARDWARE IS
TO BE FURNISHED BY
ELEVATOR CONTRACTOR

RAIL FORCES

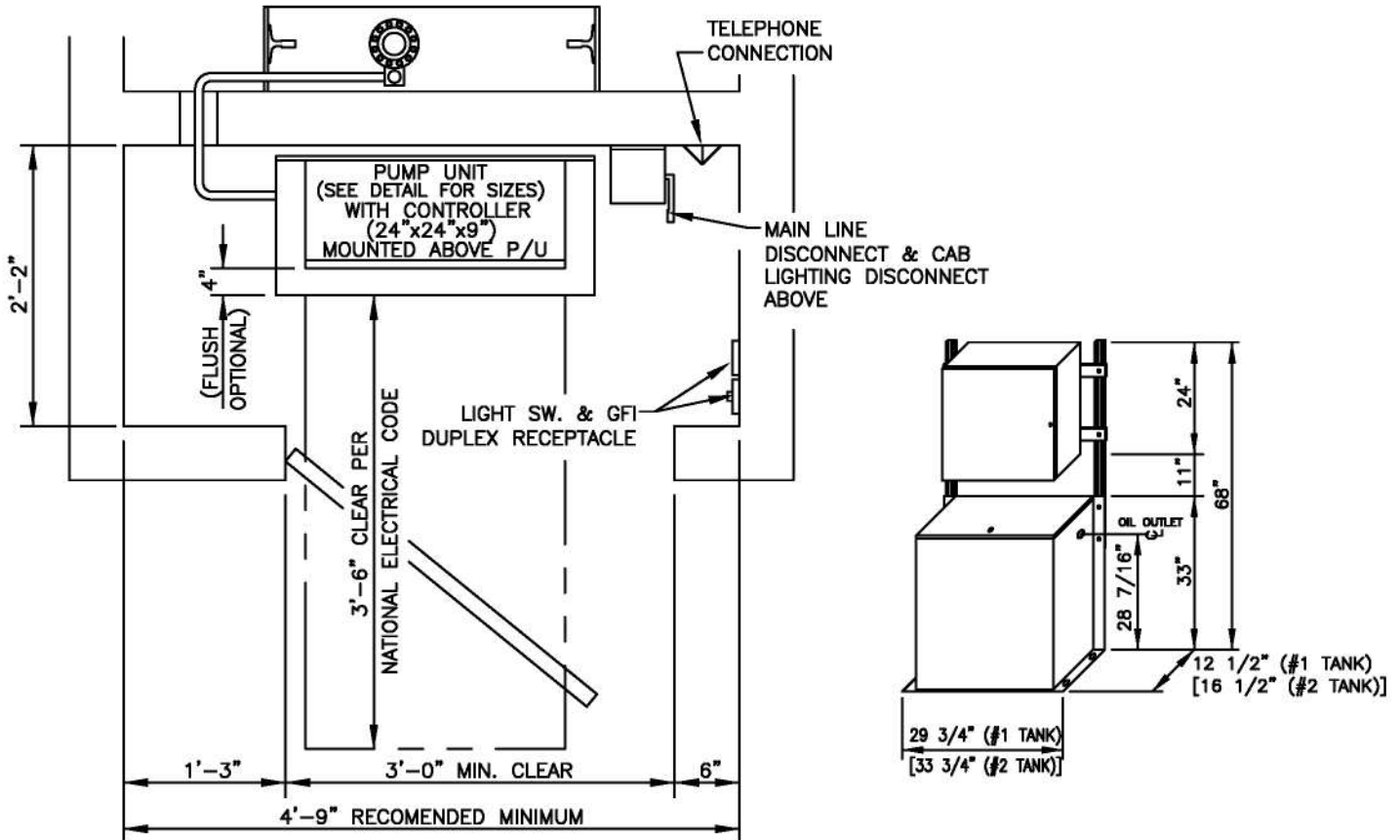
	750 CAP.	950 CAP.
R1	65 LBS	105 LBS
R2	220 LBS	250 LBS
R3	3,205 LBS	3,730 LBS

RAIL BRACKETS



Eltec Elevator Ltd
1408 Crown Street,
North Vancouver, BC
V7J 1G5
604-986-1896

ALTERNATE MACHINE ROOM LAYOUT



CSA B44 / ASME A17.1 RULE 3.19.3.3.1

Flexible Hose and Fitting assemblies shall not be installed within the hoist way nor project into or through any wall.

Pipe material and associated fitting shall comply with CSA B44 Section 3.19 and shall be furnished by the elevator contractor.

NOTES:

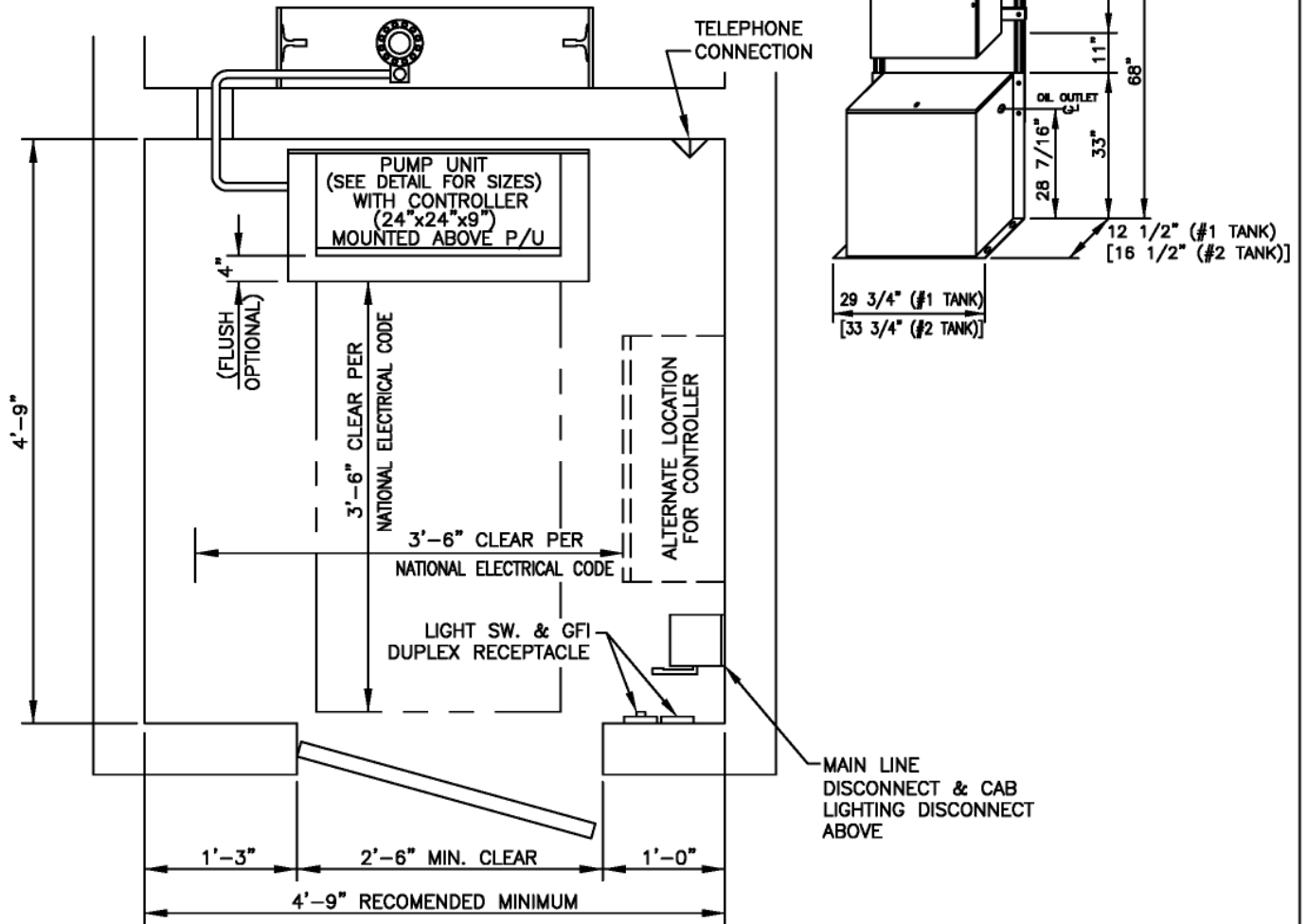
- 1) SHOWN WITH CONTROLLER MOUNTED TO PUMP UNIT. CAN BE SUPPLIED LOOSE FOR WALL MOUNTING.
- 2) #2 TANK IS USED WHEN TRAVELS EXCEED 40'-0" AND FOR 10 HP MOTORS.
- 3) OIL OUTLET LOCATED ON RIGHT AND LEFT SIDE. (OUR STANDARD PUMP UNIT IS SET-UP WITH THE OIL OUTLET MOUNTED ON THE LEFT SIDE (AS SHOWN). PLEASE ADVISE IF YOU WOULD LIKE THE OIL OUTLET MOUNTED ON THE RIGHT SIDE.)
- 4) CUSTOMER TO SPECIFY HINGE/LOCK SIDE OF CONTROLLER CABINET DOOR. (OUR CONTROLLER COMES STANDARD WITH THE CABINET DOOR HINGED ON THE LEFT SIDE. PLEASE ADVISE IF YOU WOULD LIKE THE DOOR HINGED ON THE RIGHT.)

MACHINE ROOM

Custom
ELEVATOR
manufacturing
company, inc.

Eltec Elevator Ltd.
1408 Crown Street
North Vancouver, BC
V7J 1G5
604-986-1896

TYPICAL MACHINE ROOM LAYOUT



ASME A17.1.RULE 3.19.3.3.1

FLEXIBLE HOSE AND FITTING ASSEMBLIES SHALL NOT BE INSTALLED WITHIN THE HOISTWAY NOR PROJECT INTO OR THROUGH ANY WALL.

PIPE MATERIAL AND ASSOCIATED FITTINGS SHALL COMPLY WITH ASME A17.1, SECTION 3.19 AND SHALL BE FURNISHED BY THE ELEVATOR CONTRACTOR.

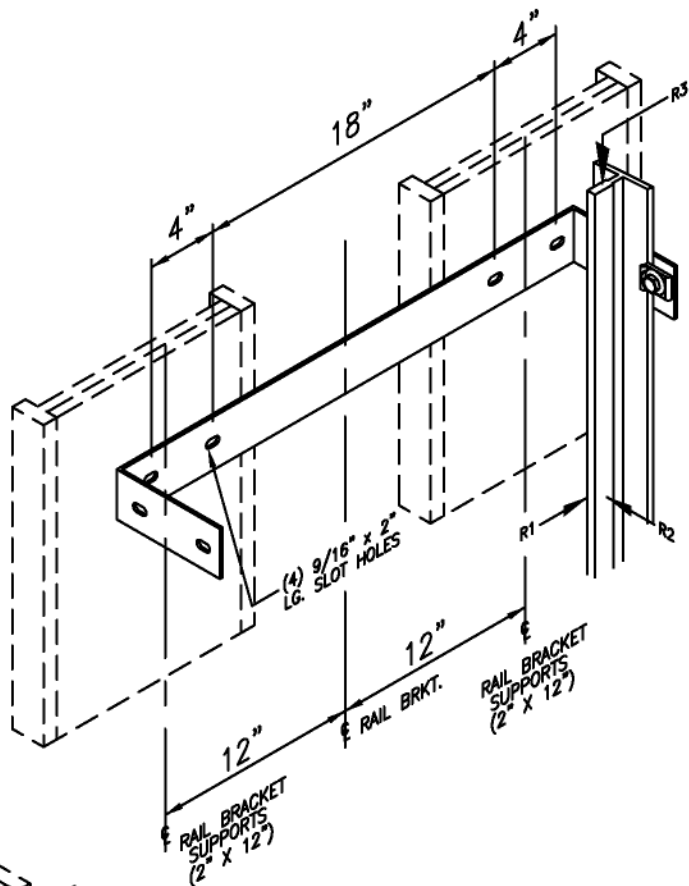
NOTES:

- 1) SHOWN WITH CONTROLLER MOUNTED TO PUMP UNIT. CAN BE SUPPLIED LOOSE FOR WALL MOUNTING.
- 2) #2 TANK IS USED WHEN TRAVELS EXCEED 40'-0" AND FOR 10 HP MOTORS.
- 3) OIL OUTLET LOCATED ON RIGHT AND LEFT SIDE. (OUR STANDARD PUMP UNIT IS SET-UP WITH THE OIL OUTLET MOUNTED ON THE LEFT SIDE (AS SHOWN). PLEASE ADVISE IF YOU WOULD LIKE THE OIL OUTLET MOUNTED ON THE RIGHT SIDE.)
- 4) CUSTOMER TO SPECIFY HINGE/LOCK SIDE OF CONTROLLER CABINET DOOR. (OUR CONTROLLER COMES STANDARD WITH THE CABINET DOOR HINGED ON THE LEFT SIDE. PLEASE ADVISE IF YOU WOULD LIKE THE DOOR HINGED ON THE RIGHT.)

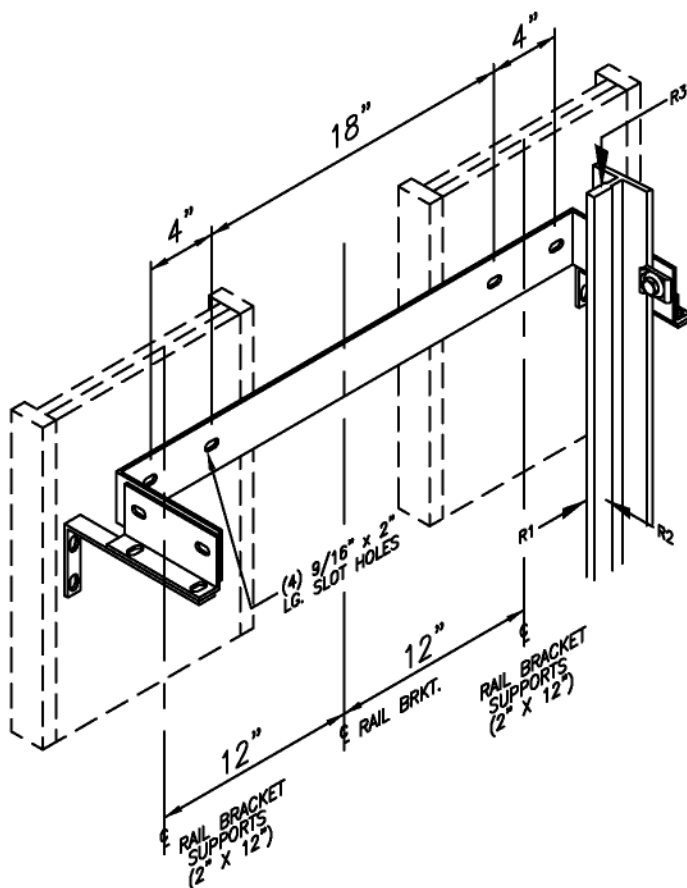
MACHINE ROOM

Custom
ELEVATOR
manufacturing
company, inc.

Eltec Elevator Ltd. 1408
Crown Street
North Vancouver, BC
V7J 1G5
604-986-1896



**FIXED RAIL BRACKET
(STANDARD)**



**ADJUSTABLE RAIL BRACKET
(OPTIONAL)**

NOTE:
RAIL BRACKET AND PEDESTAL
BASE MOUNTING HARDWARE IS
TO BE FURNISHED BY
ELEVATOR CONTRACTOR

RAIL FORCES

	750 CAP.	950 CAP.
R1	65 LBS	105 LBS
R2	220 LBS	250 LBS
R3	3,205 LBS	3,730 LBS

RAIL BRACKETS



Eltec Elevator Ltd.
1408 Crown Street, North
Vancouver, BC V7J 1G5
604-986-1896